

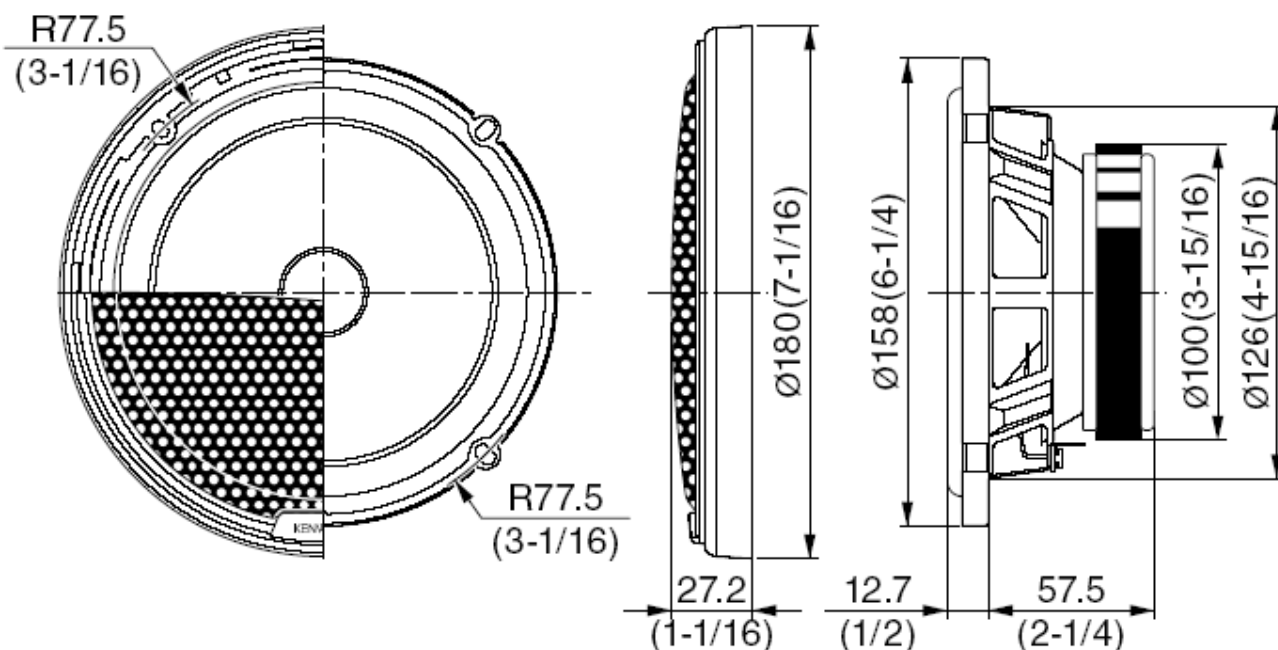
KFC-X1720P

Specifications

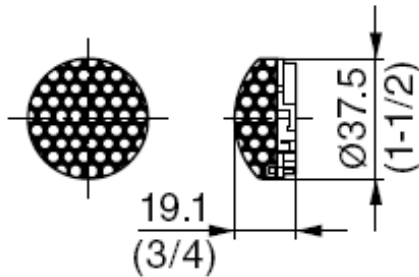
2-Way 2-Speaker System / 2-Way 2-Speaker System / Sistema de 2 altavoces de 2 vías / Sistema de 2 altifalantes de 2 vías	
Woofer / Graves / Altavoz de graves / Altifalante de graves	Oversized 160 mm (6-1/2") Cone
Tweeter / Aigus / Altavoz de agudos / Altifalante de agudos	25 mm (1") Soft Dome
Rated Impedance / Impédance nominale / Impedancia nominal / Impedância nominal	2 Ω
Peak Input Power / Entrée de crête momentanée / Potencia máxima de entrada / Potência pico de entrada	300 W
RMS Input Power / Entrée nominale / Potencia de entrada nominal / Potência de entrada nominal	100 W
Sensitivity / Niveau de pression sonore de sortie / Sensibilidad / Sensibilidade	86 dB/W at 1m
Frequency Response / Réponse en fréquence / Respuesta de frecuencia / Resposta em Frequência	63 ~ 24,000 Hz
Crossover Frequency / Fréquence de recouvrement / Frecuencia de cruce / Frequência de separação	5,000 Hz
Net Weight / Poids net / Peso neto / Peso líquido	Woofer 1,210 g (2.7 lb) Tweeter 67 g (2.4 oz)

Dimensions

■ Woofer / Graves / Altavoz de graves / Altifalante de graves / ووفر



■ Tweeter /
Aigus /
Altavoz de agudos /
Altifalante de agudos /
 تويتر



Technical specifications

	SYMBOL	UNIT	VALUE
Nominal impedance	Z	Ω	2
DC resistance	Revc	Ω	2.2
Voice coil inductance	Levc	mH	0.09
Resonance frequency	Fs	Hz	52
Resonance frequency impedance	Zs	Ω	50
Mechanical Q factor	Qms		7.78
Electrical Q factor	Qes		0.46
Total Q factor	Qts		0.44
Volume acoustic compliance	Vas	liter (cu.ft)	14.3 (0.507)
Moving mass	Mms	g	15.4
Suspension compliance	Cms	m/N	0.611×10^{-3}
Emissive diameter of the diaphragm	D	mm	128
Voice coil diameter	d	mm	30
Voice coil layers	n		2
Flux density	B	T	1.01
Force factor	BL	T.m	5.5
Weight of magnet		g (oz)	442 (15.5)
Peak excursion	Xmax	mm	1.1